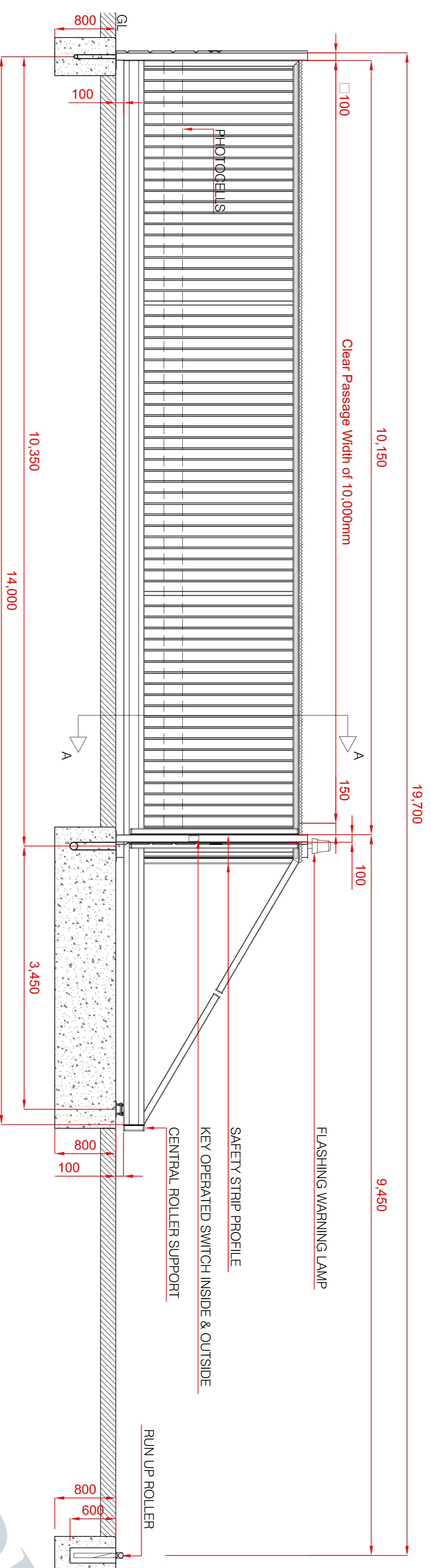


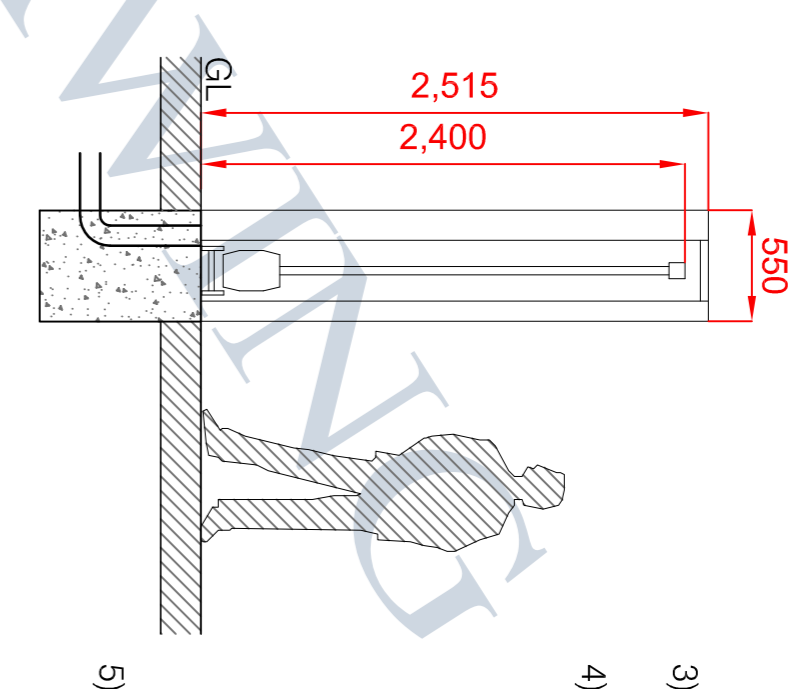
GATE OPENING TO THE RIGHT VIEWED FROM THE OUTSIDE

GATE INFILL 25/30MM BOX SECTION (MORE OPTIONS AVAILABLE, SEE ATTACHED DRAWING)

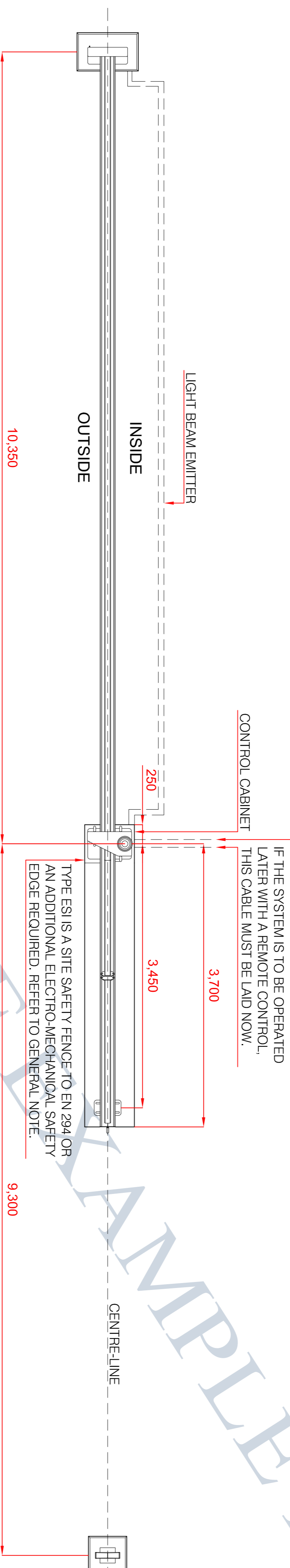


GATE ELEVATION

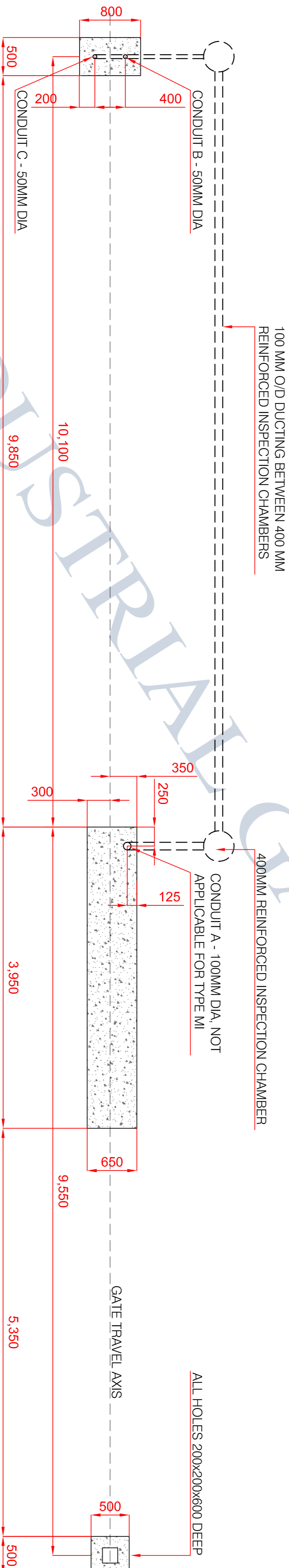
GATE SECTION A-A



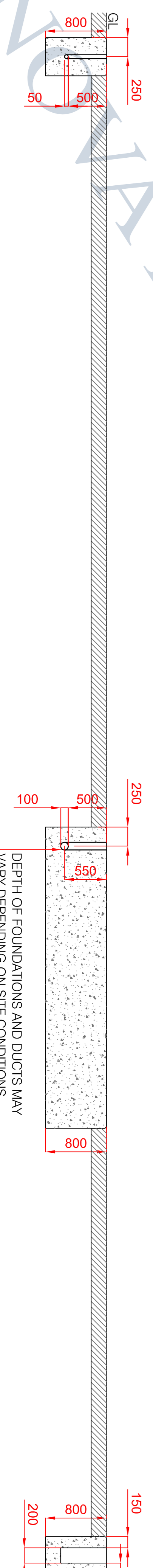
- GENERAL NOTES:
- 1) ALL MEASUREMENTS ARE IN MILLIMETERS.
 - 2) DIMENSIONS OF FOUNDATIONS FOR GROUND CLASSIFICATION 3-4, IF THE CLASSIFICATION IS UNDER 3, THE FOUNDATIONS MUST BE EXTENDED ACCORDINGLY. ALL FOUNDATIONS MUST BE FOUNDED.
 - 3) VDE GUIDELINES TO LAY ELECTRIC CABLES.
 - 4) TYPE ESI IS A SITE SAFETY MESH FENCE TO EN 294 OR AN ADDITIONAL ELECTRO-MECHANICAL SAFETY EDGE REQUIRED. WHERE SAFETY MESH FENCE IS IN CLOSE PROXIMITY TO THE CONTROL CABINET, MESH PANEL TO BE A MAXIMUM SIZE OF 25X25MM, WHERE SAFETY MESH FENCE IS TO BE SET BACK FROM THE CONTROL CABINET A MINIMUM 1.2M. MESH PANEL TO BE A MAXIMUM SIZE OF 200X25MM.
 - 5) DEPTH OF FOUNDATIONS AND DEPTH OF DUCTS MAY VARY DEPENDING ON SITE CONDITIONS.



GATE PLAN



GATE FOUNDATION/ DUCT PLAN



GATE FOUNDATION/ DUCT SECTION

NOTES

Rev	Date	Detail	Checked	Approved

Project: **INOVA 280 Model Gate**
10m Clear Opening
2.4m High

Gate Spec: **Plans, Elevations & Details**

Design: CR	Drawn: RK
Chkd: CR	App'd: CR
Date: Jan 2011	Scale: Not to Scale

PLEASE CONTACT OUR
INOVA GATES OFFICE FOR
SITE SPECIFIC DRAWINGS

INOVA Gates Ltd

76 Darnley Road
Dunfermline, Co. Dumfries
BT16 7 DW

Tel: 0845 531 1377
Fax: 0845 531 3388
sales@inovagates.com

No. RFS/INOVA01/01

Size: A1