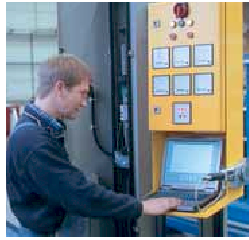


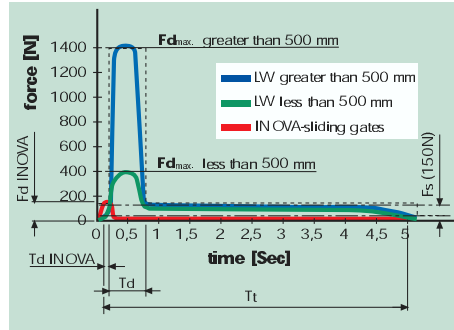
Legal requirements, dimensions

Controlled force

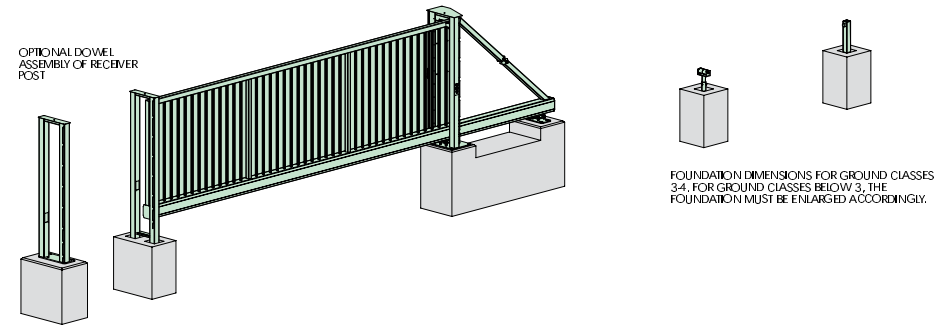
In order to avoid injuries caused by sliding gates, the maximum permitted force that can occur in connection with gates is restricted by legislation under EN 12453. INOVA is leading the way in complying with this regulation and is well within the permitted values. All INOVA products have to pass a comprehensive safety and function test on our test bench before delivery. This means we can guarantee



Technical Inspection Authority-standard safety ... for your safety!



Foundation plan



gate		leaf of gate										foundation							
Drives-through width	Total weight of gate, 2 m high	Total gate heights available		Gate frame	Gate column height	Post spacing	Average distance between posts	Gate travel distance	Length of lower beam	Average spacing of main gate columns	Average spacing of roller	Average spacing of stopper	Required total length	Height of lower beam	Centre of receiver post (from reference edge)	Length of main foundation	Centre of roller (from reference edge)	Centre of stopper (from reference edge)	Volume of concrete
A	Fg	B	GB	C	D	E	F	G	H	L	M	K	X	a	b	l	m	b25	
[m]	[kg]	[m ³]																	
2	370	INOVA 160/200																	
2,5	390	2150	1150	3660	3700	2350	2600	3580	6510	160	2100	1650	2850	3830	1,5				
3	410	2650	1250	4260	4300	2850	2800	4180	7610	160	2600	1750	3050	4430	1,6				
3,5	430	3150	1350	4860	4900	3350	3000	4780	8710	200	3100	1850	3250	5030	1,6				
4	460	3650	1350	5360	5400	3850	3300	5280	9710	200	3600	1850	3550	5530	1,6				
4,5	480	4150	1450	5960	6000	4350	3500	5880	10810	200	4100	1950	3750	6130	1,7				
5	520	4650	1550	6560	6600	4850	3800	6480	11910	200	4600	2050	4050	6730	1,7				
5,5	540	5150	1850	7360	7400	5350	4600	7280	13210	200	5100	2350	4850	7530	1,8				
6	600	5650	1850	7860	7900	5850	4800	7780	14210	200	5600	2350	5050	8030	1,8				
6,5	640	6150	1850	8360	8400	6350	5300	8280	15210	200	6100	2350	5550	8530	1,8				
7	660	6650	2250	9260	9300	6850	5900	9180	16610	200	6600	2750	6150	9430	2,0				
7,5	690	7150	2250	9760	9800	7350	6200	9680	17610	200	7100	2750	6450	9930	2,0				
8	730	7650	2450	10460	10500	7850	6600	10380	18810	200	7600	2950	6850	10630	2,1				
8,5	970	INOVA 200/280																	
9	980	8150	2650	11160	11200	8350	7100	11080	20010	200	8100	3150	7350	11330	2,2				
9,5	1020	8650	3050	12060	12100	8850	7600	11980	21410	280	8600	3550	7850	12230	2,9				
10	1060	9150	3050	12560	12600	9350	8300	12480	22410	280	9100	3550	8550	12730	2,9				
10,5	1110	9650	3450	13460	13500	9850	8800	13380	23810	280	9600	3950	9050	13630	3,1				
11	1140	10150	3450	13960	14000	10350	9300	13880	24810	280	10100	3950	9550	14130	3,1				
11,5	1180	10650	3850	14860	14900	10850	10300	14780	26210	280	10600	4350	10550	15030	3,3				
12	1210	11150	3850	15360	15400	11350	10800	15280	27210	280	11100	4350	11050	15530	3,3				
12,5	1510	11650	4250	16260	16300	11850	11300	16180	28610	280	11600	4750	11550	16430	3,5				
13	1560	12150	4250	16760	16800	12350	11700	16680	29610	280	12100	4750	11950	16930	3,5				
13,5	1610	INOVA 380																	
14	1650	12650	4450	17660	17700	12850	12150	17580	31010	380	12600	5100	12400	17830	3,8				
14,5	1720	13150	4450	18160	18200	13350	12650	18080	32010	380	13100	5100	12900	18330	3,8				
15	1790	13650	4550	18760	18800	13850	13100	18680	33110	380	13600	5200	13350	18930	3,9				
15,5	1860	INOVA 400																	
16	1930	14100	4850	19560	19600	14350	13300	19480	34410	400	14100	5500	13550	19730	4,1				
		14600	5350	20560	20600	14850	13800	20480	35910	400	14600	6000	14050	20730	4,4				
		15100	5850	21560	21600	15350	14200	21480	37410	400	15100	6500	14450	21730	4,7				
		15600	5850	22060	22100	15850	14500	21980	38410	400	15600	6500	14750	22230	4,7				
		16100	6050	22760	22800	16350	15000	22680	39610	400	16100	6700	15250	22930	4,9				

Subject to changes of dimensions

